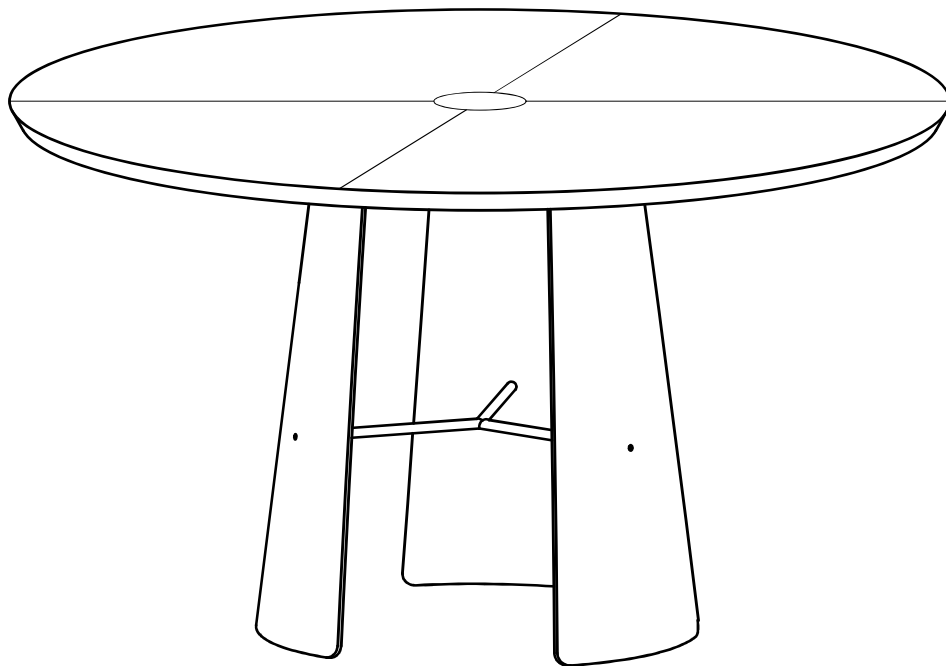




Monet Dining Table

Assembly Instructions




Warm Reminder

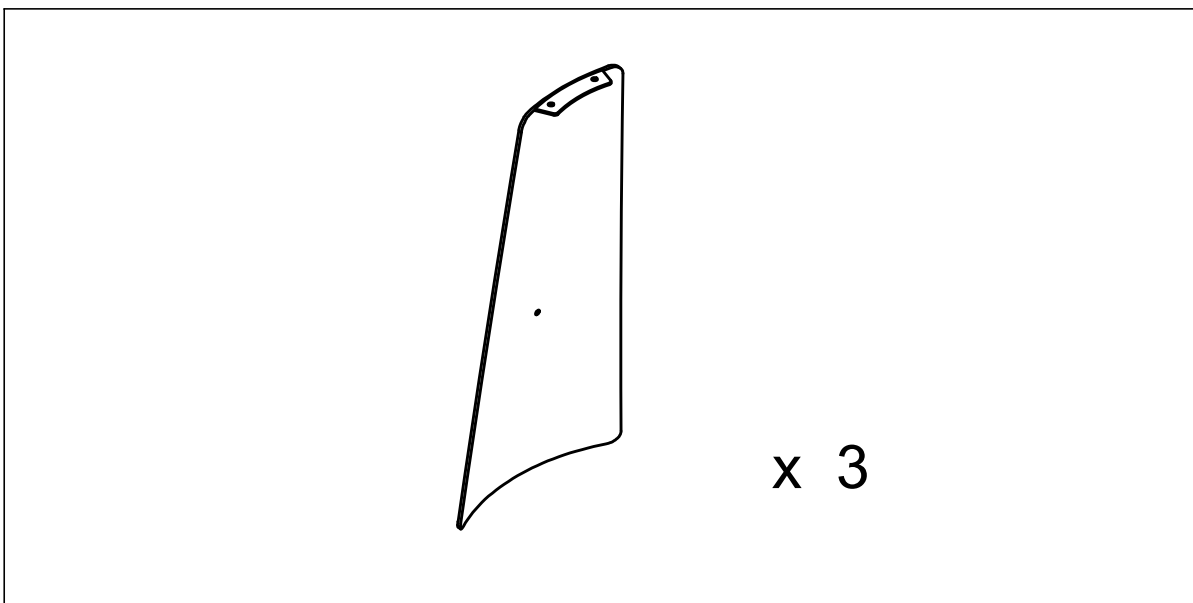
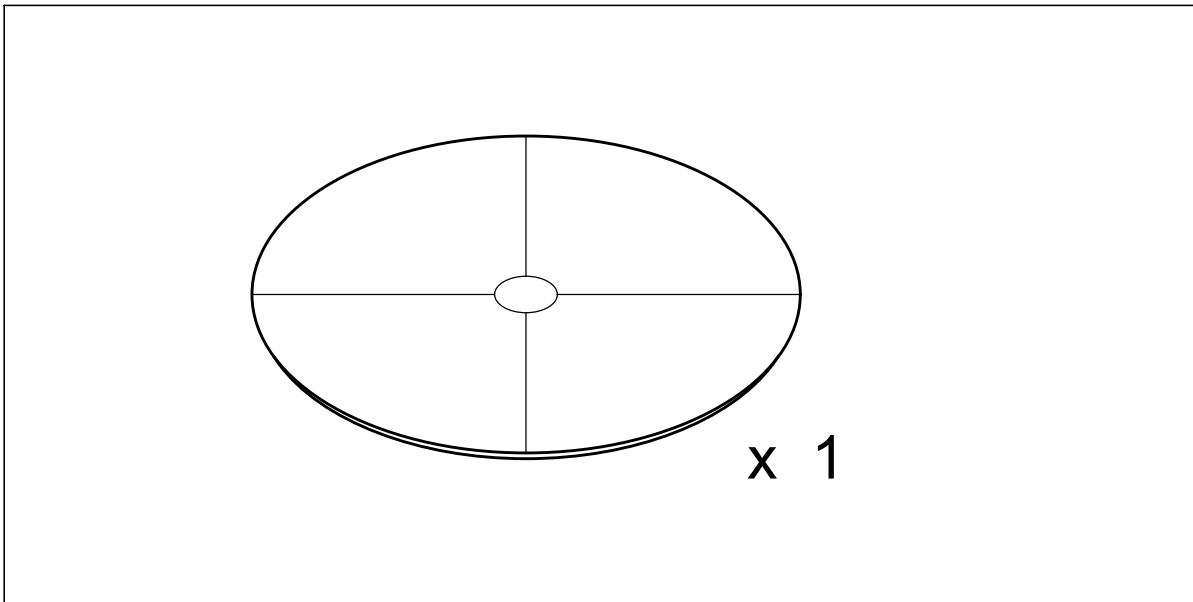
To avoid scratches or damage to the furniture or floor, please take protective measures, such as laying down packaging cartons, bubble wrap, or foam pads.

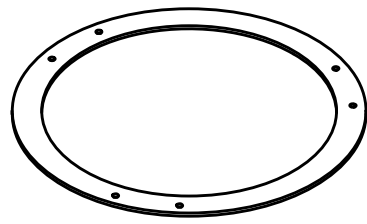
 x 6	M8
 x 3	M6

Parts and Hardware

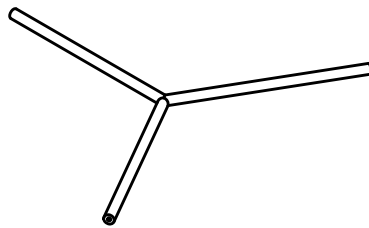
Before installation, please be sure to check the product parts and the hardware list required for each step. If any parts or hardware are missing, please contact customer service.

 x 1



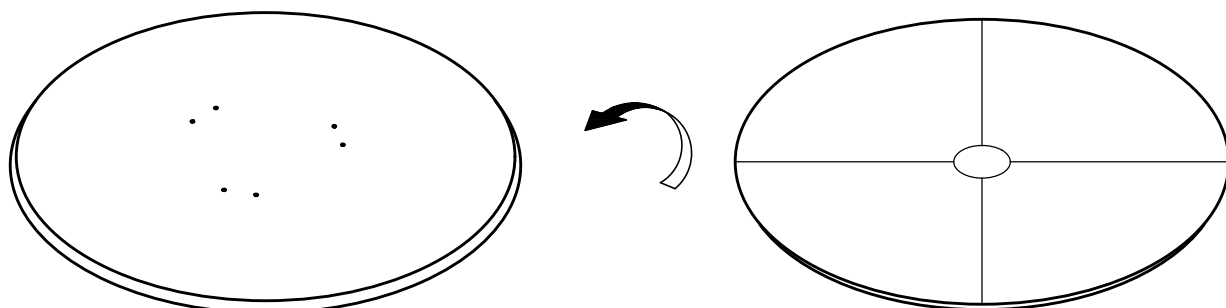


x 1

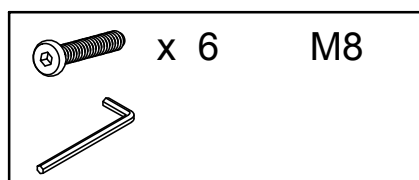
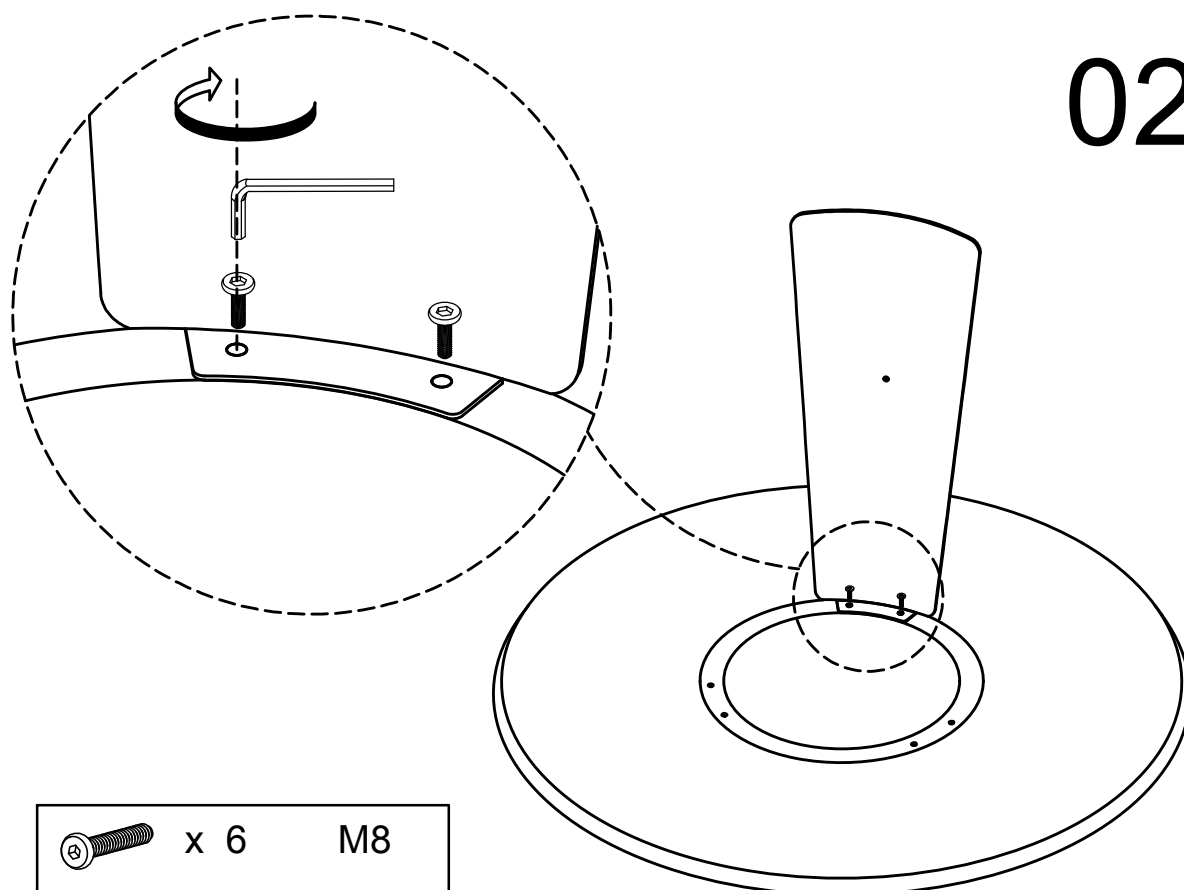


x 1

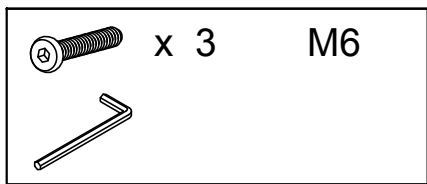
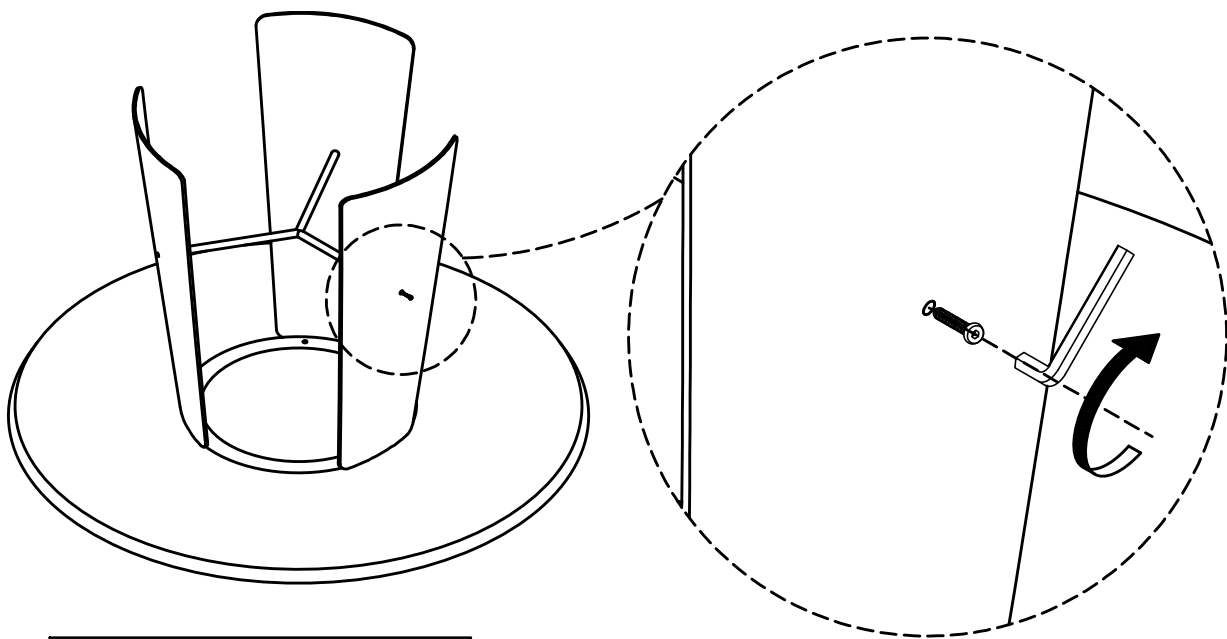
01



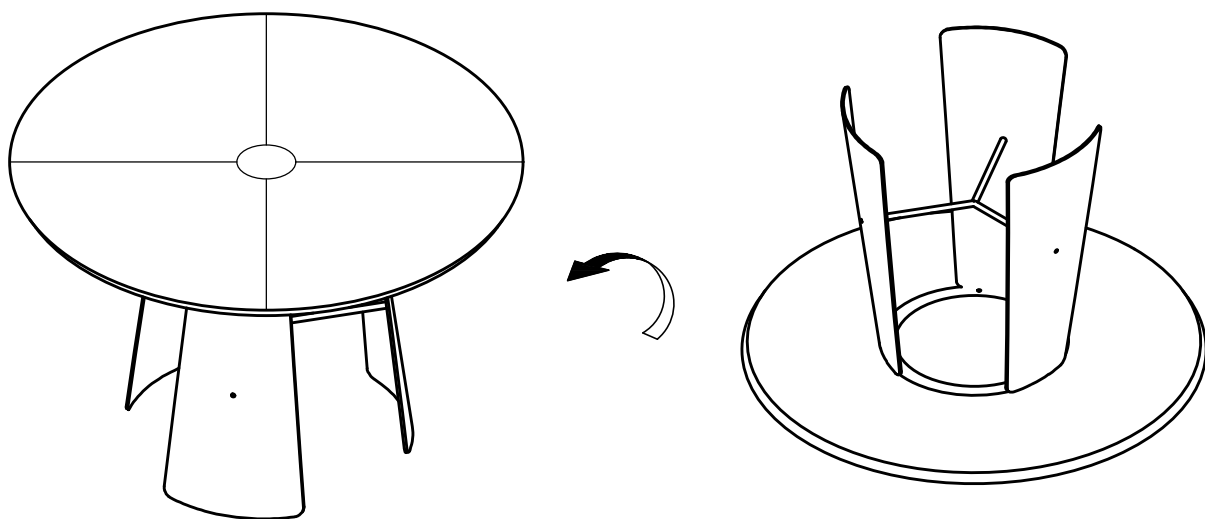
02



03



04



benssu™ Furniture