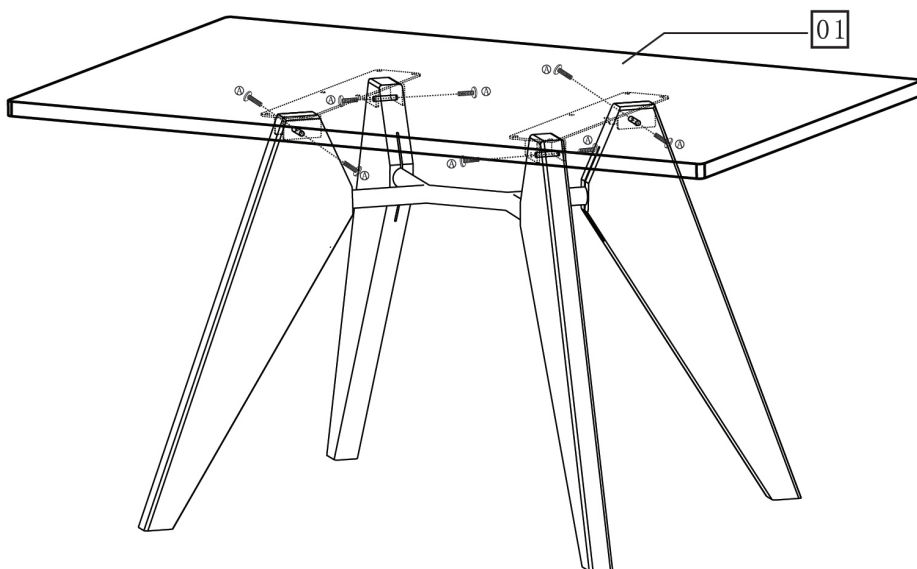
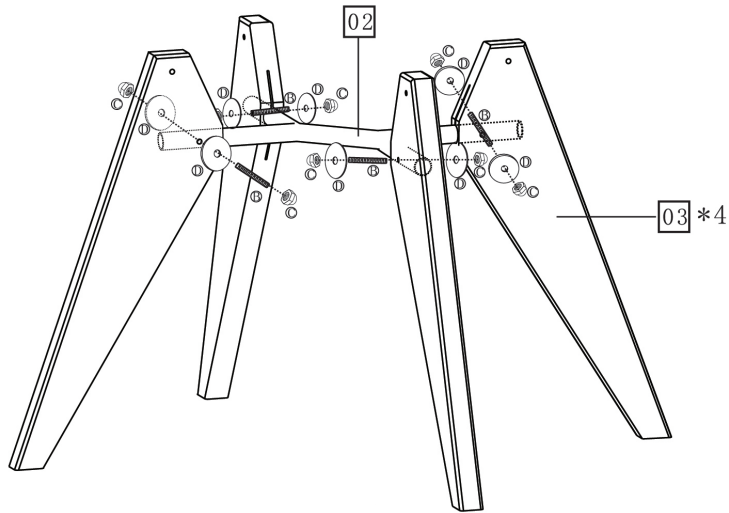




Assembly Instruction


Component Parts




Fittings

- 

A (M6 * 17,5 mm) x8
- 

B (M6 * 59 mm) x4
- 

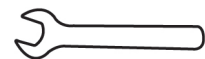
C (M6 * 11 mm) x8
- 

D (Φ60 * 3 mm) x8

Tools Required



Allen Key (supplied)



Spanner (supplied)

Component Checklist

Part	No.	Qty.	
Top	01	1	<input type="checkbox"/>
Tube	02	1	<input type="checkbox"/>
Leg	03	4	<input type="checkbox"/>